



Doors

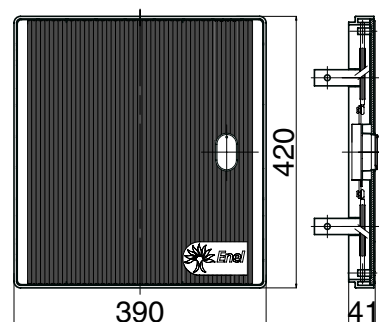
Doors

Series SRT/ND1

DOOR

Article code: **S286033U**

	Width (mm)	Height (mm)	Depth (mm)
Overall dimensions	390	420	41



Technical characteristics:

- SMC (Fibreglass) Colour Grey RAL 7001.
- Fire resistance according to Enel specifications DS 4974: >80 Points.
- Superficial draught resistance according to regulations IEC 60112: PTI 500.
- Impact resistance 10J.
- Protection level: IP 34 D according to CEI EN 60529.
- I compliance with DS4931 according to Enel specifications.
- In compliance with regulations CEI EN 60439-5 (/A1).
- Reference to Enel Technical Specification: DS 4545 (National) n. 286033.

General characteristics:

- The door is used both for road enclosures with various types of metering equipment and replacement of old road doors.
- Textured door, hinged with a 90° opening, easy to remove in open position to facilitate access. .
- Three-point lock Enel 4541/1-type National unified to allow multiple access. It can also be supplied with cross-key or Yale-type key.
- Internal ventilation is obtained via conduit between the door and sides.
- Predisposed to be built into walls by means of brackets included.

Accessory:

- N2ST0160 - Textured spare door.
- N0SF0010 - Lock Series SC/1 (pag. 138).
- N0SF0011 - Lock Series SC/T (pag. 144).
- S4541Y12 - Lock with coding 12 Series SC/12 (pag. 160).
- S4541Y21 - Lock with coding 21 Series SC/21 (pag. 160).
- PALETNAZ - Rod kit.



SRT/ND1

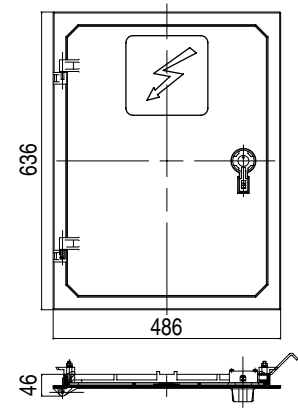
Doors

Series SRT/ND2

DOOR

Article code: **See Table**

	Width (mm)	Height (mm)	Depth (mm)
Wall aperture	486	636	46
Door dimensions	440	590	-



Code	Description
SV70013K	With cross key lock Enel Triveneto-type
SY70013K	With lock and Yale-type cylinder
SF70013K	With triangular key lock Enel Tuscany-type - Emilia Romagna
S070013K	With cross key lock Enel Lazio-type - Marche - Abruzzo - Molise
ST70013K	With triangular key lock Enel Piedmont-type
S70013SK	Without Lock

Technical characteristics:

- SMC (Fibreglass) Colour Grey RAL 7001.
- Fire resistance according to Enel specifications DS 4974: >80 Points.
- Superficial draught resistance according to regulations IEC 60112: PTI 500.
- Protection level: IP 43 according to CEI EN 60529 - IK10 according to CEI EN 62262.
- Reference to Enel Technical Specification: Table 2886 J (Lazio) n. 286040.

General characteristics:

- Designed for flush mounting in the case of first time installations with anchorage brackets and for mounting on top of existing deteriorated sheet steel doors, for Low Voltage road nodes.
- Smooth door, hinged externally with a 120° opening, easy to remove in open position to facilitate access..
- Three-point lock. Upon request it may be provided with triangular, cross, Yale or National key.
- Predisposed to be built into walls by means of brackets included.
- At the door base there is a plug with a nylon seal to block cable passage for temporary connections.

Accessories:

- 127000120 - Spare door.
- 19000454 - Locks Series SC/T2 (pag. 162).
- Vedi Tabella - Locks Series SC/YL (pag. 164).
- 19000644 - Locks Series SC/T1L (pag. 163).
- See Table - Locks Series SC/SL (pag. 165).
- PALETNAZ - Rod kit.



SRT/ND2

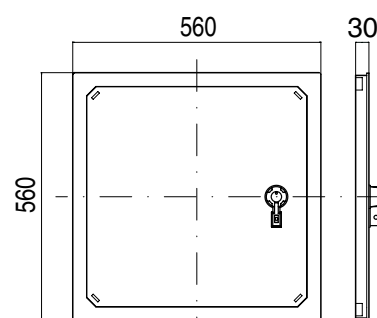
Doors

Series SRT/ND3

BUILT-IN DOORS

Article code: **See Table**

	Width (mm)	Height (mm)	Depth (mm)
Wall aperture	560	560	30
Door dimensions	553	553	-



Code	Description
64836/A	With cross key lock Enel Triveneto-type
64836/B	With lock and Yale-type cylinder
64836/C	With triangular key lock Enel Tuscany-type - Emilia Romagna
64836/D	With cross key lock Enel Lazio-type - Marche - Abruzzo - Molise
64836/E	With triangular key lock Enel Piedmont-type - Valle D'Aosta - Liguria
64836/F	With lock with padlock only
64836/G	With Lock Series SC/1 - lined
64836/SK	Without Lock

Technical characteristics:

- SMC (Fibreglass) Colour Grey RAL 7001.
- Fire resistance according to Enel specifications DS 4974: >80 Points.
- Superficial draught resistance according to regulations IEC 60112: PTI 500.
- Protection level: IP 43 according to CEI EN 60529 - IK10 according to CEI EN 62262.
- Reference to Enel Technical Specification: Table 2886 C (Lazio) n. 288612.

General characteristics:

- The door is flush mounted and used for both new Low Voltage network nodes and to replace old road doors.
- Smooth surface, easy to remove in open position to facilitate access.
- Three-point lock with padlock, upon request it is possible to supply triangular, cross, or Yale-type keys.
- Predisposed to be built-in with brackets included.



SRT/ND3

Accessories:

- 19000723 - Spare door with no padlock latch.
- 19000275 - Spare door with padlock latch.
- 19000762 - Textured spare door National-type.
- 19000454 - Locks Series SC/T2 (pag. 162).
- Vedi Tabella - Locks Series SC/YL (pag. 164).
- 19000644 - Locks Series SC/T1L (pag. 163).
- See Table - Locks Series SC/SL (pag. 165).
- S63790AW - Locks Series SC/ML (only on doors with Lock with padlock) (pag. 161).
- NOSF0010 - Locks Series SC/1 (only on National-type doors) (pag. 159).
- NOSF0011 - Locks Series SC/T(solo su sportelli tipo nazionale) (pag. 158).
- S4541Y12 - Lock with coding 12 Series SC/12 (only on National-type doors) (pag. 160).
- S4541Y21 - Lock with coding 21 Series SC/21 (only on National-type doors) (pag. 160).
- PALETSPT - Rod kit 50X50.
- PALETNAZ - Rod kit 50X50 National.

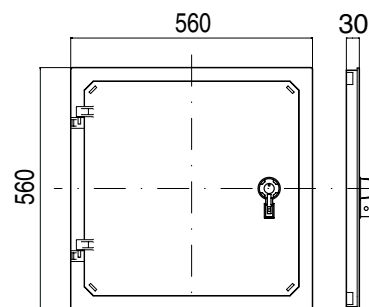
Doors

Series SRT/ND4

HINGED DOOR

Article code: See Table

	Width (mm)	Height (mm)	Depth (mm)
Wall Aperture	560	560	30
Door Dimensions	553	553	-



Code	Description
64835/A	With needle key lock Enel Triveneto-type
64835/B	With lock and Yale-type cylinder
64835/C	With triangular key lock Enel Tuscany-type - Emilia Romagna
64835/D	With needle key lock Enel Lazio-type - Marche -Abruzzo - Molise
64835/E	With triangular key lock Enel Piedmont-type
64835/F	With padlock latch only
S064828K	Without lock

Technical characteristics:

- SMC (Fibreglass) Colour Grey RAL 7001.
- Fire resistance according to Enel specifications DS 4974: >80 Points.
- Superficial draught resistance according to regulations IEC 60112: PTI 500.
- Protection level: IP 43 according to CEI EN 60529 - IK10 according to CEI EN 62262.
- Reference to Enel Technical Specification: Table 2886 C (Lazio) n. 288612.

General characteristics:

- The door is flush mounted and used for both new Low Voltage network nodes and to replace old road doors
- Smooth door, hinged externally with a 120° opening, easy to remove in open position to facilitate access.
- Three-point lock with padlock, upon request it is possible to supply triangular, cross, or Yale-type keys.
- Predisposed to be wall built-in with the support bars included.

Accessories:

- 19000518 - Spare door with no padlock latch.
- 19000724 - Spare door with padlock latch.
- 19000454 - Locks Series SC/T2 (pag. 162).
- Vedi Tabella - Locks Series SC/YL (pag. 164).
- 19000644 - Locks Series SC/T1L (pag. 163).
- See Table - Locks Series SC/SL (pag. 165).
- S63790AW - Locks Series SC/ML (only for doors with padlocks) (pag. 161).
- PALETSPT - Rod kit 50x50.



SRT/ND4

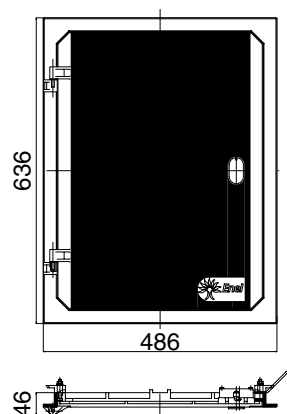
Doors

Series SRT/ND5

HINGED DOOR

Article code: See Table

	Width (mm)	Height (mm)	Depth (mm)
Opening	486	636	46
Door dimensions	440	590	-



Code	Description
S286040U	With triangular key lock
S286040K	With triangular key lock and user's cylinder lock
S286040SK	Without lock

Technical characteristics:

- SMC (Fibreglass) Colour Grey RAL 7001.
- Fire resistance according to Enel specifications DS 4974: >80 Points.
- Superficial draught resistance according to regulations IEC 60112: PTI 500.
- Impact resistance 20J.
- Protection level: IP 34 D according to CEI EN 60529.
- In compliance with DS4931 according to Enel specifications.
- In compliance with regulations CEI EN 60439-5 (/A1).
- In compliance with Enel Technical Specification: DS 4521 (National) n. 286040.

General characteristics:

- The door is flush mounted and used for both new Low Voltage network nodes and to replace old road doors
- Textured door, hinged externally with a 120° opening, easy to remove in open position to facilitate access.
- Three-point lock Enel 4541/2-type provided with a triangular Enel key. It is possible to provide both the triangular and Yale-type key upon request.
- Internal ventilation is obtained via conduit between the door and sides.
- Predisposed to be built into walls by means of brackets included.
- Aluminium blocks are also included together with stainless-steel bolts for attachment to existing metal sheet-metal frames.

Accessories:

- 12700010 - Spare door.
- N0SF0010 - Lock Series SC/1 (pag. 159).
- N0SF0011 - Lock Series SC/T (pag. 158).
- S4541Y12 - Lock with coding 12 Series SC/12 (pag. 160).
- S4541Y21 - Lock with coding 21 Series SC/21 (pag. 160).
- PALETNAZ - Rod kit.



SRT/ND5



OEC

Product Catalogue