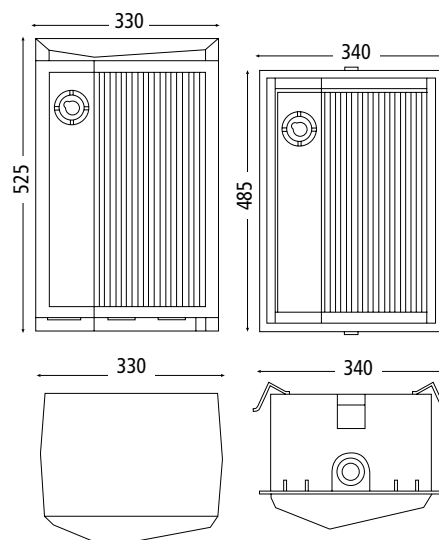


Enclosure for telecommunications Series ARE/T-A-B

**FIBREGLASS ENCLOSURES "A" e "B" for
TELECOMMUNICATIONS and ENERGY**

**Article Code: NOST0008 A type IDC enclosure (25313/8)
NOST0009 B type IDC enclosure (25314/6)**

Version	Code	Dimensions						Weight (kg)
		External (mm)			Internal (mm)			
		Height	Width	Depth	Height	Width	Depth	
ARE/T-A	NOST0008	525	330	300	385	245	200	10,5
ARE/T-B	NOST0009	485	340	255	385	245	150	7,6



Technical characteristics:

- SMC (Fibreglass) Grey colour RAL 7037 door, RAL 7042 other parts.
- Fire resistance in compliance with regulation UL 94, class VO.
- Protection level A-type enclosure: IP 23D in compliance with CEI EN 60529.
- Protection level B-type enclosure: IP 3XD in compliance with CEI EN 60529.

General characteristics:

- Fibreglass enclosures A and B belong to the "line 90" enclosure series and are used for the isolation and termination of electrical and broad band telephone cables.
- They can be surface mounted (A and B) or built into walls (B).
- They include one base and a door with one handle and a two-point lock including a cover. The built-in version (B) is also provided with zinc plated anchorage brackets. The front surface is opportunely textured to inhibit billposting.
- The modern production technology as well as the typical characteristic of the material used guarantee lightness, high mechanical characteristics, easy transportation and installation, high electrical insulation, chemical and atmospheric agent resistance, no maintenance, self-extinguishing, optimum protection level, modern and functional design, compact and uniform surfaces in a standard grey colour.
- Certifications: the enclosure has been approved by Telecom Italia S.p.A. in compliance with the technical specifications n. 1432 and used both for traditional copper as well as broad band cables.
- Supply: The enclosure is available in different configurations:
 - With frame for copper telephone-cable termination modules IDC (100 cp).
 - With frame for optical/coaxial terminals with the relative conversion and supply apparatus (broad band cables).
 - With safety lock.



ARE/T-A



ARE/T-B