

# Fibreglass enclosures for metering equipment Series ARE/B

## ENCLOSURE 600x600

### Article Code: NOST0140/1

(Enclosure for metering equipment with Lock SC/1)

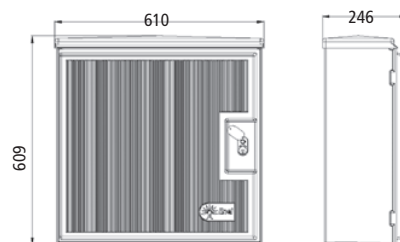
### NOST0140/2

(Enclosure for terminal blocks with Lock SC/T)

### NOST0140/3

(Enclosure for private customers with Lock SC/1 and blank logo)

	Width (mm)	Height (mm)	Depth (mm)
Overall dimensions	610	609	246
Internal dimensions	560	550	200



Code	Description
NOST0140/12	Enclosure blank logo with lock coding 12
NOST0140/21	Enclosure blank logo with lock coding 21
NOST0140/NW	Enclosure blank logo without lock
NOST0140/AW	Enel, open top, without lock, with coupling plate
NOST0140/ANW	Blank logo, open top, without lock, with coupling plate

### Technical characteristics:

- SMC (Fibreglass) Grey colour RAL 7001.
- In compliance with regulations CEI EN 60439-5 (/A1).
- In compliance with DS4931 in accordance with Enel specifications.
- Fire resistance in accordance with Enel Specifications DS 4974: >80 Points.
- Surface draught resistance in accordance with regulations IEC 60112: PTI 500.
- Impact resistance 20J in accordance with CEI EN 60439/5.
- Protection level: IP 34 D in accordance with CEI EN 60529.
- See Enel Specification: DS 4549; nr. Enel 284051 for metering equipment; nr. Enel 286030 for terminal block.

### General characteristics:

- Predisposition for the installation of: **1)** Three integrated mono-phase meters GMI-type- Y. **2)** One three-phase meter GTI-type- Y. **3)** Three electronic mono-phase meters GEM-type via B3M board. **4)** Two electronic mono-phase meters GEM-type plus one electronic three-phase meter up to 15 KW GET-1 or GET-2A type via B3M board. **5)** Three electronic three-phase meters up to 15 KW GET-1 or GET-2A-type via B3T board. **6)** One electronic three-phase meter up to 30 KW GET-3A o GET-3B type via Enel DS 4464/2 type board. **7)** One terminal block MST/S-B150 series. **8)** Other devices with appropriate base plate.
- Textured door with moulded hinge allowing a 120° opening. It is removable to facilitate access.
- Three-point lock Enel-type DS 4541/1 with triangular or Yale type key Enel type triangular key on versions with terminal block.
- Internal ventilation obtained by means of a conduit between the cover and the sides.
- The enclosure is predisposed for floor mounting via Enel DS 4548 type base.
- Standard supply is with open base.

### Accessories:

- For further ACCESSORIES, specifications and spare parts relative to the series ARE/B, see pag. 78.

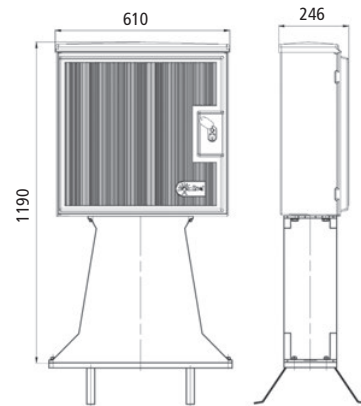


# Fibreglass enclosures for metering equipment Series ARE/B-BS

## ENCLOSURE 600x600 BASE MOUNTED

Article Code: **NOST0260**

	Width (mm)	Height (mm)	Depth (mm)
Internal dimensions (Enclosure)	560	550	200
Internal dimensions (Base)	310-490	550	180
Overall dimensions (Enclosure + Base)	610	1190	246



Code	Description
NOST0260/12	Enclosure blank logo with lock coding 12
NOST0260/21	Enclosure blank logo with lock coding 21
NOST0260/NW	Enclosure blank logo without lock

### Technical characteristics:

- SMC (Fibreglass) Grey colour RAL 7001.
- In compliance with regulations CEI EN 60439-5 (A1).
- In compliance with DS4931 in accordance with Enel specifications.
- Fire resistance in accordance with Enel Specifications DS 4974: >80 Points.
- Surface draught resistance in accordance with regulations IEC 60112: PTI 500.
- Impact resistance 20J in accordance with CEI EN 60439/5.
- Protection level: IP 34 D in accordance with CEI EN 60529.
- In compliance with Enel Specifications: DS 4549.

### General characteristics:

- Predisposition for the installation of:
  - 1) Three integrated mono-phase meters GMI – Y type.
  - 2) One three-phase meter GTI – Y type.
  - 3) Three electronic mono-phase meters GEM type via B3M board.
  - 4) Two electronic mono-phase meters GEM type plus an electronic three-phase meter up to 15 KW GET-1 or GET-2A-type via B3M board.
  - 5) Three electronic three-phase meters up to 15 KW GET-1 or GET-2A-type via B3T board.
  - 6) One electronic three-phase meter up to 30 KW GET-3A or GET-3B-type via Enel board DS 4464/2-type.
  - 7) One terminal block series MST/S-B150.
  - 8) Other application via base plate.
- Textured door with moulded hinge allowing a 120° opening. It is removable to facilitate access.
- Three-point lock Enel-type DS 4541/1 with triangular or Yale type key Enel type triangular key on versions with terminal block.
- Internal ventilation obtained by means of a conduit between the cover and the sides.
- The enclosure is predisposed for floor mounting via Enel base DS 4548-type and includes frame 1ST0192.
- Predisposition for the installation of Enel DS 4464/2 type board to mount the electronic three-phase boxes or Enel B3M DH 902-A7 base to mount 2 mono-phase electronic box and 1 three-phase box for terminal blocks and low voltage breakers.

### Accessories:

- For further ACCESSORIES, specifications and spare parts relative to the series ARE/B-BS, see pag. 78.



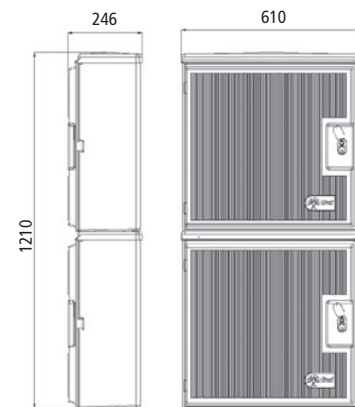
ARE/B-BS

# Fibreglass enclosures for metering equipment Series ARE/B-SS

## ENCLOSURE600x600 STACKED

Article Code: **NOST0190** (Two stacked enclosures)  
**NOST0191** (Three stacked enclosures)

	Width (mm)	Height (mm)	Depth (mm)
Overall dimensions double version	610	1210	246
Overall dimensions triple version	610	1814	246
Internal dimensions single enclosure	560	550	200



Code	Description
NOST0190/12	Double Enclosure blank logo with lock coding 12
NOST0190/21	Double Enclosure blank logo with lock coding 21
NOST0190/NW	Double Enclosure blank logo without lock
NOST0191/12	Triple Enclosure blank logo with lock coding 12
NOST0191/21	Triple Enclosure blank logo with lock coding 21
NOST0191/NW	Triple Enclosure blank logo without lock

### Technical characteristics:

- SMC (Fibreglass) Grey colour RAL 7001.
- In compliance with regulations CEI EN 60439-5 (A1).
- In compliance with DS4931 in accordance with Enel specifications.
- Fire resistance in accordance with Enel Specifications DS 4974: >80 Points.
- Surface draught resistance in accordance with regulations IEC 60112: PTI 500.
- Impact resistance 20J in accordance with CEI EN 60439/5.
- Protection level: IP 34 D in accordance with CEI EN 60529.
- See Enel Specification: DS 4549.

### General characteristics:

- Enclosure stacked on identical enclosure to double the available space. Multiple versions are available for up to 3 or 4 stacked enclosures.
- Textured door with moulded hinge allowing a 120° opening. It is removable to facilitate access.
- Three-point lock Enel-type DS 4541/1 with triangular or Yale type key Enel type triangular key on versions with terminal block.
- Internal ventilation obtained by means of a conduit between the cover and the sides.
- The enclosure is predisposed for floor mounting via Enel base DS 4548-type.
- The enclosures can be stacked up to three or four in order to obtain maximum space. The enclosure is also predisposed for the installation of the Enel board DS 4464/2 type for the electronic three-phase meter or the Enel B3M DH 902-A7 base for the installation of two electronic mono-phase meters and one three-phase meter and terminal blocks and low voltage breakers.
- Standard supply is with open bottom.

### Accessories:

- For further ACCESSORIES, specifications and spare parts relative to the series ARE/BSS, see pag.78.

