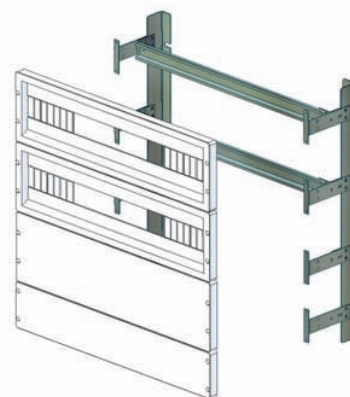


Fibreglass enclosures for metering equipment Series ARE/B

ACCESSORIES for ENCLOSURE600x600

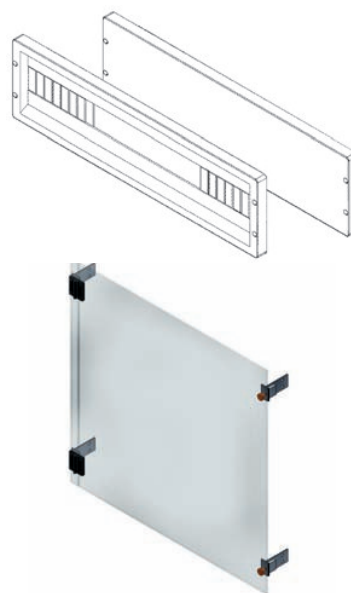
Accessories for racking equipment		
Code		
N1ST0219	Bottom frame including racking panels (see note)	<ul style="list-style-type: none"> • Mounting kit for racking equipment (See picture) • N° 2 Perforated panels 538x149 mm (See picture) • N°1 Blank panel 538x149 mm (See picture) • N° 1 Blank panel 538x 99 mm (See picture)



Note:

For different uses it is possible to vary the composition of panels assembled on the mounting kit.

Racking equipment components		
Code		
N2SF0156	Blank panels 538 x149 mm	<ul style="list-style-type: none"> • Panel • Mounting bracket kit
N2SF0160	Blank panel 538 x 99 mm	<ul style="list-style-type: none"> • Panel • Mounting bracket kit
N2SF0158	Perforated panel 538 x149 mm	<ul style="list-style-type: none"> • Mounting Kit for racking equipment
N1ST0365	Bottom frame to mount racking equipment	<ul style="list-style-type: none"> • Left and right angle bars • Mounting Kit
N1ST0220	Inner door (see note)	<ul style="list-style-type: none"> • Door • Mounting Kit



Note:

the inner door cannot be assembled without respective frame and panels, cod. N1ST0219.

Locks, rods and hinges	
Code	
N0SF0010	Lock series SC/1 (pag. 159)
N0SF0011	Lock series SC/T (pag. 158)
S4541Y12	Lock with coding 12 series SC/12 (pag. 160)
S4541Y21	Lock with coding 21 series SC/21 (pag. 160)
PALETNAZ	Adjustable rods kit
N1ST0649	Hinge

Accessories for Installation

Code	
N1ST0194	Floor mounting frame (pag. 103)
N0ST0145	Base series ARE/BS "With mounting frame" (pag. 95)

Spare parts

Code	
N2ST0179	Textured spare door (with Enel logo)
N2ST0179/N	Textured spare door (blank logo)
N2ST0177	Top

Joining elements

Code	
N2ST0213	Joining element for enclosures

Base plates

Code	Material	Width (mm)	Height (mm)	Thickness (mm)
N1ST0221	Steel	540	500	2
N1ST0240	Bakelite	540	500	4
N1ST0244	PVC	540	500	4

