



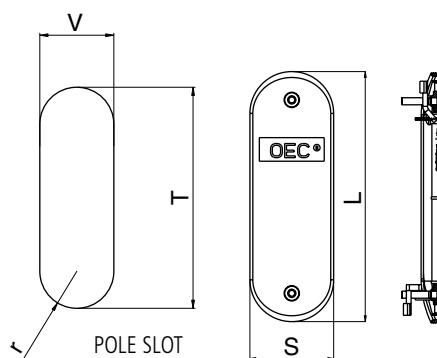
Slot covers for I.P. poles

OEC Product Catalogue

Pole slot covers Series PTL/P

POLYAMIDE slot covers for POLE SLOT 38x132 and 45x186

Article code: See Table



Technical characteristics:

- Protection level IP 54 in accordance with regulation CEI EN 60529 and IK 08 in accordance with regulation CEI EN 62262.
- Clamping force suggested 3,5 - 4 Nm.

General characteristics:

- Polyamide resin cover PA 66 F.V. self-extinguishing Grey colour RAL 7001.
- Brass tabs for pole clamping.
- Stainless-steel screw for pole clamping.
- Allen keys included with stainless-steel insert and polyamide shank (see note).
- EPDM rubber seal atmospheric-agent resistant.

Note: n° 2 keys per pack.

Series	Code	Door dimension			Pole slot			Combined with terminal blocks Code
		L	S	Ø Pole min/max	r	V	T	
PTL/P1 75-115	PTLP1075	157	64,5	75÷115	19	38	132	MSTA12BW MSTA22BW MSTA14BW MSTA24BW
PTL/P2 115-180	PTLP2115	212	71	115÷180	22,5	45	186	MSTB12DW MSTB22DW MSTB14DW MSTB24DW
PTL/P2 180-P	PTLP2180	212	71	180-P	22,5	45	186	MSTB12DW MSTB22DW MSTB14DW MSTB24DW

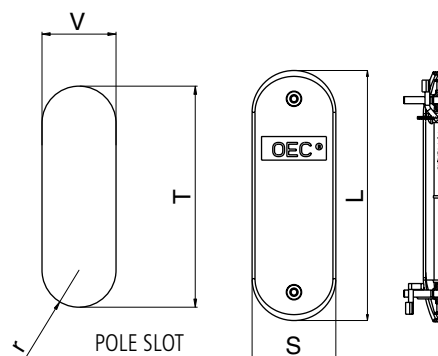


PTL/P

Pole slot covers Series PTL/A

ALUMINUM SLOT COVERS for POLES
with SLOTS 38x132 e 45x186

Article code: See Table



Technical characteristics:

- Protection level IP 54 in accordance with regulation CEI EN 60529 and IK 08 in accordance with regulation CEI EN 62262.
- Clamping force suggested 3,5 - 4 Nm.

General characteristics:

- Slot cover in pressure-cast aluminium alloy.
- Brass tabs for pole clamping.
- Stainless-steel screw for pole clamping.
- Allen keys included with stainless-steel insert and polyamide shank (see note).
- EPDM rubber seal atmospheric-agent resistant.

Note: n° 2 keys included.

Series	Code	Door dimension			Pole slot			Combined with terminal blocks Code
		L	S	Ø Pole min/max	r	V	T	
PTLA1 75-115	PTLA1075	157	64,5	75÷115	19	38	132	MSTA12BW MSTA22BW MSTA14BW MSTA24BW
PTLA2 75-115	PTLA2075	212	71	75÷115	22,5	45	186	MSTA12BW MSTA22BW MSTA14BW MSTA24BW
PTLA1 115-180	PTLA2115	212	71	115÷180	22,5	45	186	MSTB12DW MSTB22DW MSTB14DW MSTB24DW
PTLA2 180-P	PTLA2180	212	71	180-P	22,5	45	186	MSTB12DW MSTB22DW MSTB14DW MSTB24DW

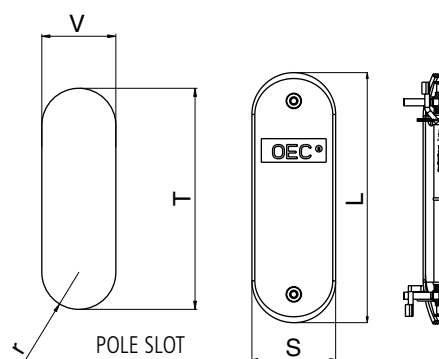


PTL/A

Pole slot covers Series PTL/V

PAINTED ALUMINUM SLOT COVERS for POLES
with SLOTS 38x132 e 45x186

Article code: See Table



Technical characteristics:

- Protection level IP 54 in accordance with regulation CEI EN 60529 and IK 08 in accordance with regulation CEI EN 62262.
- Clamping couple suggested 3,5 - 4 Nm.

General characteristics:

- Slot cover in pressure-cast aluminium alloy powder coated grey RAL 7001.
- Brass tabs for pole clamping.
- Stainless-steel screw for pole clamping.
- Allen keys included with stainless-steel insert and polyamide shank (see note).
- EPDM rubber seal atmospheric-agent resistant.

Note: n° 2 keys included.

Series	Code	Door dimension			Pole slot			Combined with terminal blocks Code
		L	S	Ø Pole min/max	r	V	T	
PTLV1 75-115	PTLV1075	157	64,5	75÷115	19	38	132	MSTA12BW MSTA22BW MSTA14BW MSTA24BW
PTLV2 115-180	PTLV2115	212	71	115÷180	22,5	45	186	MSTB12DW MSTB22DW MSTB14DW MSTB24DW
PTLV2 180-P	PTLV2180	212	71	180-P	22,5	45	186	MSTB12DW MSTB22DW MSTB14DW MSTB24DW



PTLV