



Insulation displacement terminals

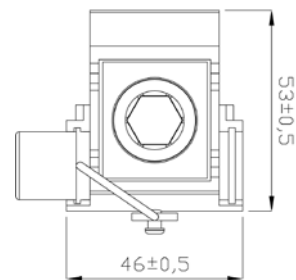
OEC Product Catalogue

Insulation displacement Terminals for Low Voltage cables Series CNT/PRF-1

**UNIPOLAR INSULATION DISPLACEMENT BRANCH TERMINALS
for SELF-SUPPORTING LOW VOLTAGE CABLES TYPE DM 6050/1**

Article code: NOCE0031

	Width (mm)	Height (mm)	Depth (mm)
Overall dimensions	53	53	46

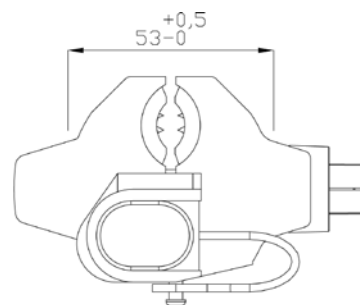


Technical characteristics:

- PBT 30% FV; Copper alloy in accordance with UNI 2012 hardness Hb >100; stainless-steel nuts and bolts.
- Fire resistance in accordance with Indications UL 94 - V0.
- Superficial-draught resistance in accordance with regulations IEC 60112 - CTI 600.

General characteristics:

- The insulation displacement branch terminal for self-supporting low voltage cables consists of:
- n° 2 plastic half-casings.
- n° 2 tin plated copper contacts.
- n° 1 stainless-steel torsion shear bolt.
- In compliance with Enel Technical Specification: DM 6050/1; DM 6850 n.275001.
- Branch connector for copper or aluminium overhead cables, of 35 mm², 54,6 mm² and 70 mm².
- Branch cable of 6 mm², 10 mm², 16 mm², 25 mm², 35 mm², 54,6 mm².
- Protection level IP 2X with connector closed but not tightened; IP 4X after tightening.



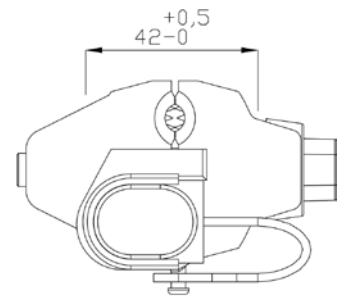
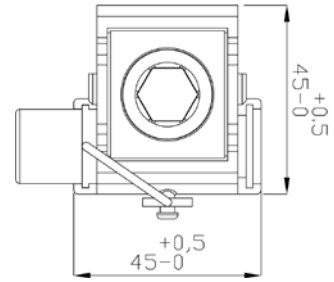
CNT/PRF-1

Insulation displacement Terminals for Low Voltage cables Serie CNT/PRF-2

**UNIPOLAR INSULATION DISPLACEMENT BRANCH TERMINALS
for SELF-SUPPORTING LOW VOLTAGE CABLES TYPE DM 6050/2**

Article code: NOCE0032

	Width (mm)	Height (mm)	Depth (mm)
Overall dimensions	45	42	45



Technical characteristics:

- PBT 30% FV; Copper alloy in accordance with UNI 2012 hardness Hb >100; stainless-steel nuts and bolts.
- Fire resistance in accordance with Indications UL 94 - V0.
- Superficial-draught resistance in accordance with regulations IEC 60112 - CTI 600.

General characteristics:

- The insulation displacement branch terminal for self-supporting low voltage cables consists of:
 - n° 2 plastic half casings.
 - n° 2 tin-plated copper contacts.
 - n° 1 stainless-steel torsion shear bolt.
- In compliance with Enel Technical Specification: DM 6050/2; DM 6850 n. 275003.
- Branch connector for copper or aluminium overhead cables, of 10 mm² e 16 mm².
- Branch cable of 6 mm², 10 mm², 16 mm² and 25 mm².
- Protection level IP 2X with connector closed but not tightened; IP 4X after tightening.



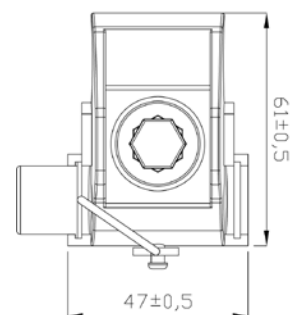
CNT/PRF-2

Insulation displacement Terminals for Low Voltage cables Series CNT/PRF-3

**UNIPOLAR INSULATION DISPLACEMENT BRANCH TERMINALS
for SELF-SUPPORTING LOW VOLTAGE CABLES TYPE DM 6055**

Article code: **NOCE0041**

	Width (mm)	Height (mm)	Depth (mm)
Overall dimensions	61	53	47

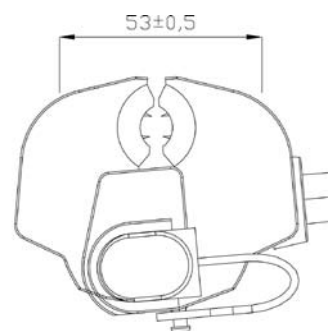


Technical characteristics:

- PBT 30% FV; Copper alloy in accordance with UNI 2012 hardness Hb >100; stainless-steel nuts and bolts.
- Fire resistance in accordance with Indications UL 94 - V0.
- Superficial-draught resistance in accordance with regulations IEC 60112 - CTI 600.

General characteristics:

- The insulation displacement branch terminal for self-supporting low voltage cables consists of:
- n° 2 plastic half-casings.
- n° 2 tin-plated copper contacts.
- n° 1 stainless-steel torsion shear bolt.
- In compliance with Enel Technical Specification: DM 6055 n. 275004.
- Branch connector for copper or aluminium overhead cables, of 35 mm², 50 mm², 95 mm² e 150 mm².
- Branch cable of 6 mm².
- Protection level IP 2X with connector closed but not tightened; IP 4X after tightening.



CNT/PRF-3

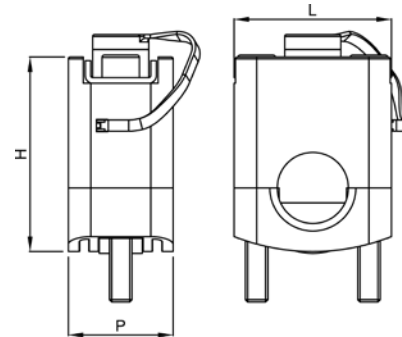
Terminal Series CNT/PRF-CC

INSULATION DISPLACEMENT SHORT-CIRCUIT TERMINAL for LOW VOLTAGE CABLES

Article code: See Board

Code	Cable section (mm ²)	N. Enel	Dimensions (mm)		
			H	L	P
NOCE0162	10 - 25	85 21 20	48	38	28
NOCE0163	35 - 70	85 21 21	48	38	28
NOCE0164	95 - 150*	85 21 22	51	42	28
NOCE0165	150** - 240	85 21 23	59	52	28

*) Cable 150 mm² without sheath. **) Cable 150 mm² with sheath.



Technical Characteristics:

- Plastic parts in PA66 25% FV; Copper alloy terminal; stainless-steel nuts and bolts.
- Fire resistance in accordance with Indications UL 94 - V0.
- Nominal Isolation Voltage not lower than 1 kV.
- Short circuit resistance: 8kA for 0,2 seconds; 1,3 kA per 60 seconds.
- Protection level IP 40.
- In compliance with Enel Technical Specification: EA 0138.

General characteristics:

- The insulation displacement terminal is designed for short circuiting and grounding to allow work on Low Voltage cables type DC 4141, DC 4121; DC 4122, DC 4126, DC 4180, DC4181, DC 4152, DC 4183.
- The connector is made of:
 - n° 2 plastic half casings.
 - n° 1 tin-plated copper alloy contact.
 - n° 2 stainless-steel Allen bolts.



CNT/PRF-CC



OEC
Product Catalogue